

# IS 3360

DALI-2 Input Device - concealed, sq.  
 EAN 4007841 057244  
 Article number 057244



infrared sensor 360°



max. 20 m



IP20



2 - 1000 lux



ideal 2.5 - 4 m



energy saving

5 years

manufacturer's warranty  
 steinel-professional.de/  
 garantie



CE

## Function description

Higher, further, faster. Infrared presence detector IS 3360 for indoors and out, ideal for watching over high spaces and large areas, such as multi-storey and underground car parks, installation height up to 4 m, 360° angle of coverage, reach 20 m max. (tangential). Available either in round or square surface-mounted and concealed version. DALI-2 Input Device enables sensors to communicate collected sensor data to higher-level lighting management systems (e.g. LiveLink).

## Technical specifications

|                         |  |
|-------------------------|--|
| Dimensions (L x W x H)  | 78 x 94 x 94 mm  |
| With motion detector    | Yes  |
| Manufacturer's Warranty | 5 years  |
| Settings via            | Bus  |
| With remote control     | No   |
| Version                 | DALI-2 Input Device - concealed, sq.   |
| PU1, EAN                | 4007841057244  |
| Type                    | Motion and Presence Detector   |
| Application, place      | Indoors  |
| Application, room       | production facilities, recreation room, changing room, function room / ancillary room, sports hall, reception / lobby, stairwell, WC / washroom, multi-storey / underground car park, warehouse, Indoors |
| Colour                  | white  |
| Colour, RAL             | 9003   |

|   |                               |
|---|-------------------------------|
| Mounting height                               | 2.5 – 4,00 m                  |
| Mounting height max.                          | 4,00 m                        |
| Optimum mounting height                       | 2,8 m                         |
| Detection angle                               | 360 °                         |
| Angle of aperture                             | 180 °                         |
| Sneak-by guard                                | Yes                           |
| Capability of masking out individual segments | Yes                           |
| Electronic scalability                        | No                            |
| Mechanical scalability                        | No                            |
| Reach, radial                                 | Ø 8 m (50 m <sup>2</sup> )    |
| Reach, tangential                             | Ø 40 m (1257 m <sup>2</sup> ) |
| Reach, presence                               | Ø 3 m (7 m <sup>2</sup> )     |
| Switching zones                               | 1416 switching zones          |
| Twilight setting                              | 2 – 1000 lx                   |
| Basic light level function                    | No                            |
| Main light adjustable                         | No                            |

# IS 3360

DALI-2 Input Device - concealed, sq.  
 EAN 4007841 057244  
 Article number 057244



## Technical specifications

|                              |                                |
|------------------------------|--------------------------------|
| Includes corner wall mount   | No                             |
| Installation site            | ceiling                        |
| Installation                 | Concealed wiring, Ceiling      |
| IP-rating                    | IP20                           |
| Ambient temperature          | from -20 up to 50 °C           |
| Material                     | Plastic                        |
| Mains power supply           | 12 – 22,5 V / 50 – 60 Hz       |
| Switching output 1, floating | No                             |
| Power supply, detail         | DALI bus                       |
| Number of Dali users         | 3                              |
| Steuerausgang, Dali          | Addressable/slave              |
| With bus coupling            | Yes                            |
| Technology, sensors          | passive infrared, Light sensor |

|  |                   |
|--|-------------------|
| Twilight setting TEACH   | No                |
| Constant-lighting control  | No                |
| Interconnection  | Yes               |
| Type of interconnection  | Master/slave      |
| Interconnection via  | DALI bus          |
| Max. Current consumption according to IEC 62386-101                | 24 mA             |
| Typical current consumption at 16V input voltage                   | 5 mA              |
| Max. Current consumption at 10V input voltage in regular operation | 7 mA              |
| Product category   | Presence detector |

## Accessories

|                    |                             |
|--------------------|-----------------------------|
| EAN 4007841 009151 | Remote control Smart Remote |
| EAN 4007841 056728 | Black cover for IR-sensors  |

# IS 3360

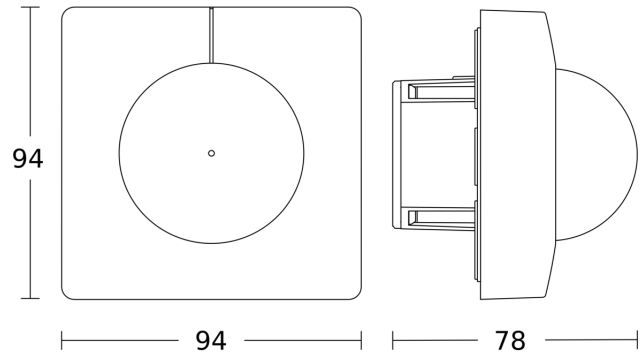
DALI-2 Input Device - concealed, sq.  
EAN 4007841 057244  
Article number 057244

## Detection Zone



Possible mounting height: 2,50 m – 4,00 m  
Orange: radial  
Black: tangential

## Dimension Drawing



## Circuit diagram

